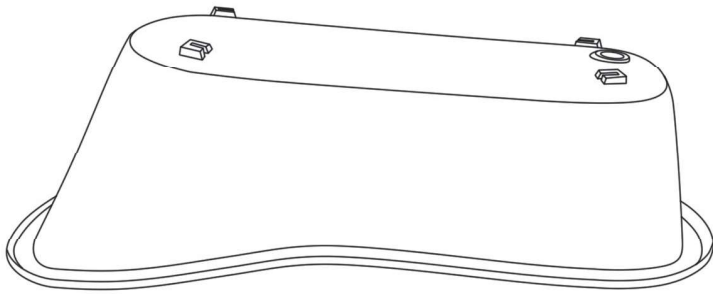


HURLINGHAM
The Bath Company

Bath Feet Fitting Guide
The Marlowe

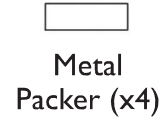
Contents



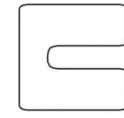
Bath Body



Bath Feet (x4)



Metal Packer (x4)



Rubber Wedge (x4)



Bolt (x4)



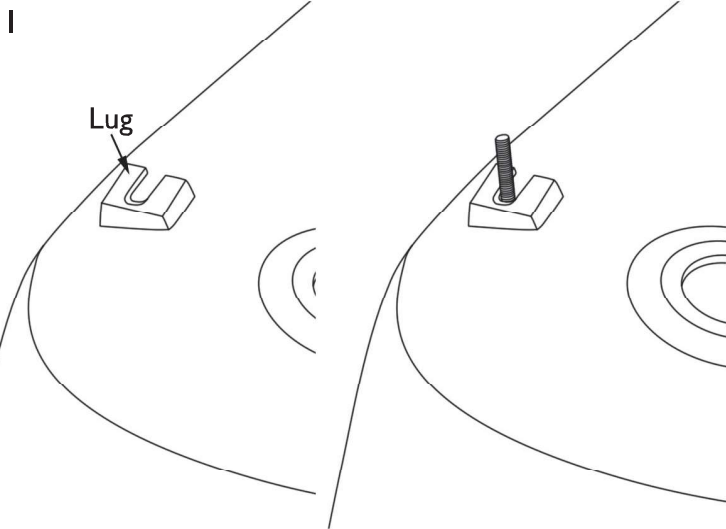
Nut (x4)



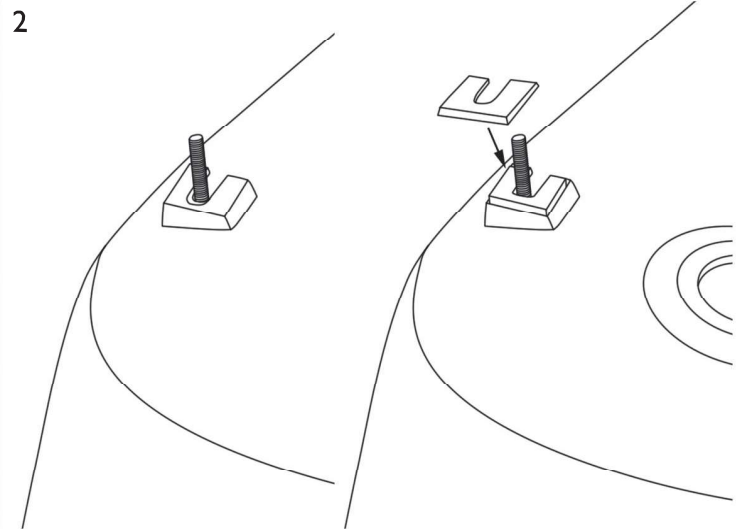
Spiral Washer (x4)



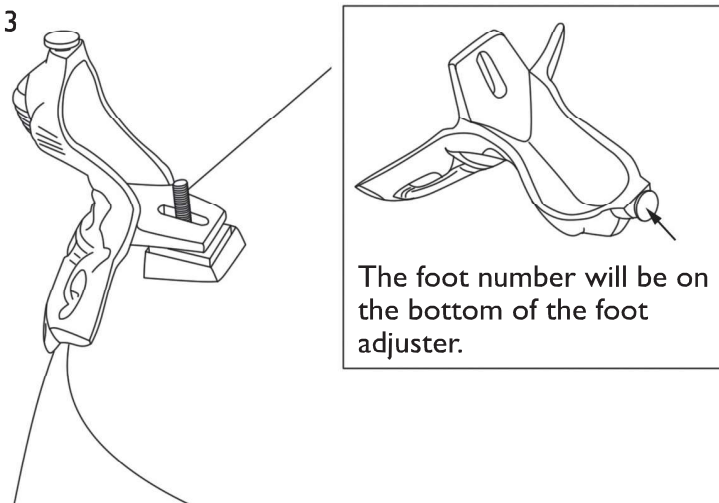
Washer (x4)



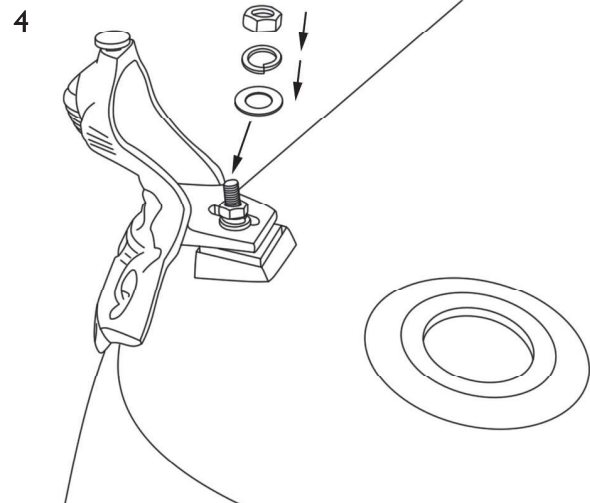
Insert bolt, head down, into the first lug.
Please note: the lugs are numbered from 1 to 4, these will correspond to the feet which are also numbered 1 to 4.



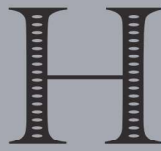
Pass the rubber wedge over the bolt.



Place foot over bolt - the number on the foot must match the number on the lug. When placing the foot on the bath, match it to the contour of the bath and take care not to scratch paint on the bath body.



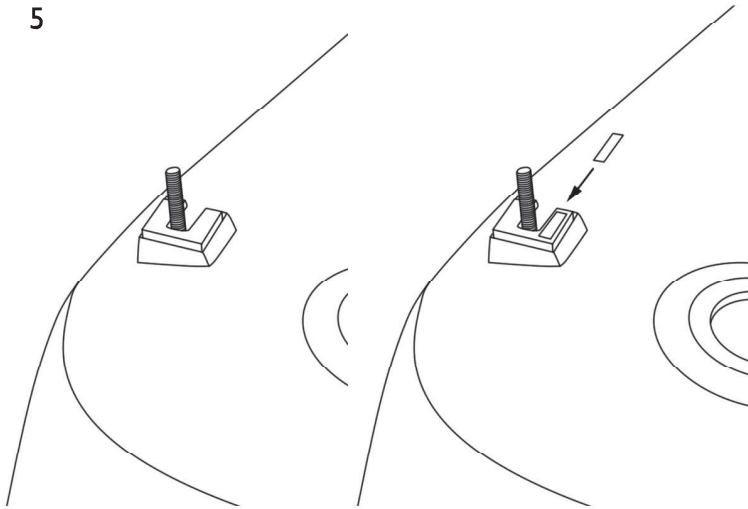
To secure the foot to the bath body, place the washer followed by the spring washer and nut over the bolt and then tighten the nut with a spanner. Steps 1 to 3 should then be repeated for the remaining 3 feet - remember to match the correct numbers.



HURLINGHAM
The Bath Company

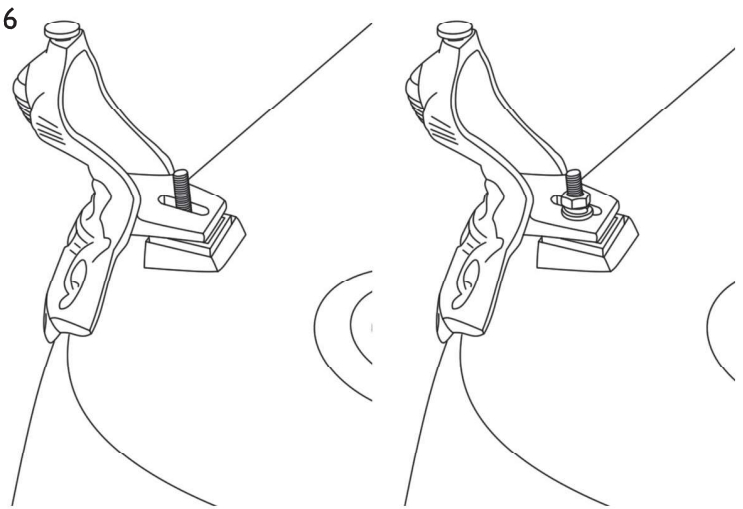
Bath Feet Fitting Guide
The Marlowe

5



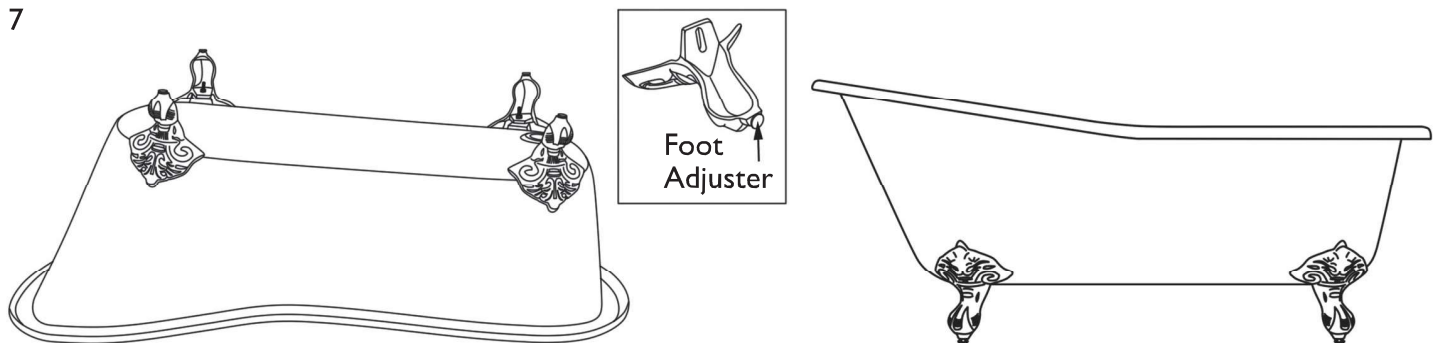
If there is movement in the foot once tightened, the metal packer can be used to achieve a tighter fit. The foot must be removed and then place the metal packer on the rubber wedge.

6



Repeat steps 3 and 4.

7



Once all feet are securely attached, the bath can be turned over. The bath is heavy, so adequate manpower is required to avoid injury. If the bath is on uneven ground, the foot adjusters can be turned to stabilise the bath.